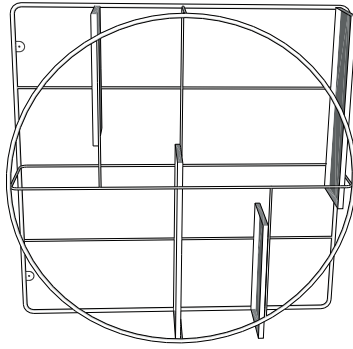
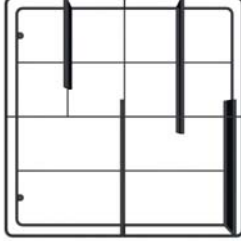
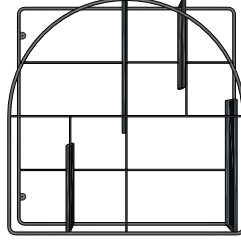
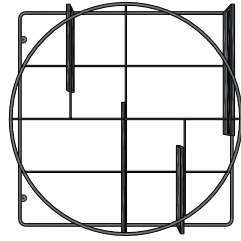
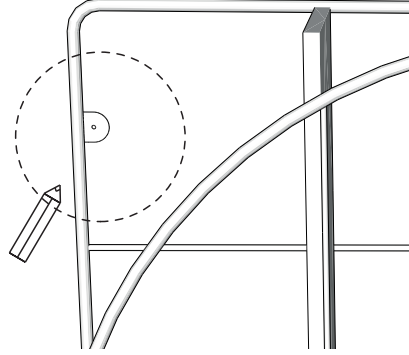


You are the lucky owner of the M:OD BUJNIE wall plant hanger
Here we will show you how to install it in several points:

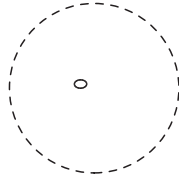
M:OD variants :



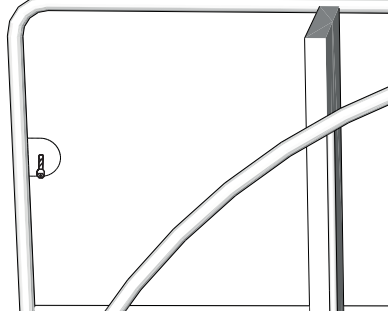
step 1
put the wall plant hanger against
the wall



step 2
mark two holes in the wall with a
pencil



step 3
drill holes in the wall in the marked
places



step 4
place the plant hanger against the
wall, insert the screws into the
prepared holes, screw the plant
hanger to the wall